

**DATE:** February 7, 2019  
**TO:** 9-1-1 Emergency Response Advisory Committee  
**FROM:** Elaina Hooper, Dispatch Supervisor, City of Reno Public Safety Dispatch, [hoopere@reno.gov](mailto:hoopere@reno.gov), 326-6611  
**THROUGH:** Jenny Hansen, Director, City of Reno Public Safety Dispatch  
**SUBJECT:** FUNDING REQUEST – XYBIX SYSTEMS, INC. FUNDING FOR CITY OF RENO PUBLIC SAFETY DISPATCH PSAP: A review, discussion and possible action to approve, deny or otherwise modify a request for funding for the Reno Public Safety Dispatch for Xybix Systems, Inc. for the purchase of eleven (11) Monitor Mount – Quick Stack – Vertical posts - Including freight and Installation services for a cost not to exceed \$ 3,127.41.

---

### **SUMMARY**

#### **FOR PRIMARY PSAP (Public Safety Answering Point) CITY OF RENO PUBLIC SAFETY DISPATCH:**

A review, discussion and possible action to approve, deny or otherwise modify a request for funding for Reno Public Safety Dispatch to install eleven (11) monitor mounts – Quick Stack vertical posts directly involved in supporting monitors for West’s MapFlex 9-1-1 program display. This vital mapping component displays locations of calls and incidents on an interactive map that details information about a call including wireless addresses, regional pictometry overlays that, among many tools, are used in the PSAP on a day to day basis. Including freight and Installation services for a cost not to exceed \$ 3,127.41.

#### **NRS APPLICABLE:**

NRS 244A.7645 Provides approval of costs associated with maintenance, upgrade and replacement of equipment necessary for the operation of the enhanced telephone system.

#### **STAKEHOLDER REVIEW(S)**

Stakeholder is a primary Public Safety Answer Point (PSAP) – City of Reno Public Safety Dispatch.

#### **PREVIOUS ACTION & BACKGROUND**

No previous actions were taken for City of Reno Public Safety Dispatch.

#### **FISCAL IMPACT**

The Enhanced 9-1-1 Fund is a special revenue fund which receives revenue pursuant to NRS 244A.7643 in the form of telephone surcharges collected to support the emergency reporting system.

**RECOMMENDATION**

It is recommended that the E911 Emergency Response Advisory Committee approve the request for funding the costs associated with Xybix Systems, Inc. for the purchase of eleven (11) Monitor Mount – Quick Stack – Vertical posts. Including freight and Installation services for a cost not to exceed \$ 3,127.41.

**POSSIBLE MOTION**

Move to approve that the E911 Emergency Response Advisory Committee approve the request for funding the costs associated with Xybix Systems, Inc. for the purchase of eleven (11) Monitor Mount – Quick Stack – Vertical posts. Including freight and Installation services for a cost not to exceed \$ 3,127.41.

**Xybix Systems, Inc.**  
 8207 SouthPark Circle  
 Littleton, CO 80120  
 Phone:303-683-5656  
 Fax:303-683-5454  
 KarenT



**Quote Number: 23979**

**Quote Date: 11/15/2018**

**Orig Create Date: 11/15/2018**

**Expires: 2/13/2019**

**Opp #: 20113**

**Page: 1 of 1**

**Quote**

**Terms:** NET 30

<p><b>Quote To:</b>          Acct: RENPOLRENV           Reno Public Safety Dispatch          PO Box 1900          Reno NV 89505</p>	<p><b>Ship To:</b> Reno Public Safety Dispatch          PO Box 1900           Reno          NV 89505</p> <hr/> <p><b>Sales Person:</b> ELLIE BITTOURNA          Rep Phone:          Email: ellieb@xybix.com</p>
---	---

3 FedEx Boxes

Line	Part Number	Description	Qty	U/M	List Ea	Disc%	DiscPrice	Net Price
1.00	13160.	Monitor Mount - Quickstack - 1 Vertical Post - - - - -	1	11.0 EA	\$478.00	42	\$277.24	\$3,049.64
99.00	other	Other Charges & Services	2	1.0 EA	\$-		\$0.00	\$0.00

**Line(2) - Miscellaneous Charge -**  
 Freight - Non-Taxable \$77.77

List Price Total	\$5,258.00	Lines Total:	\$3,049.64
		Line Miscellaneous Charges Total:	\$77.77
		<b>Quote Total:</b>	<b>\$3,127.41</b>

**Note 1:**

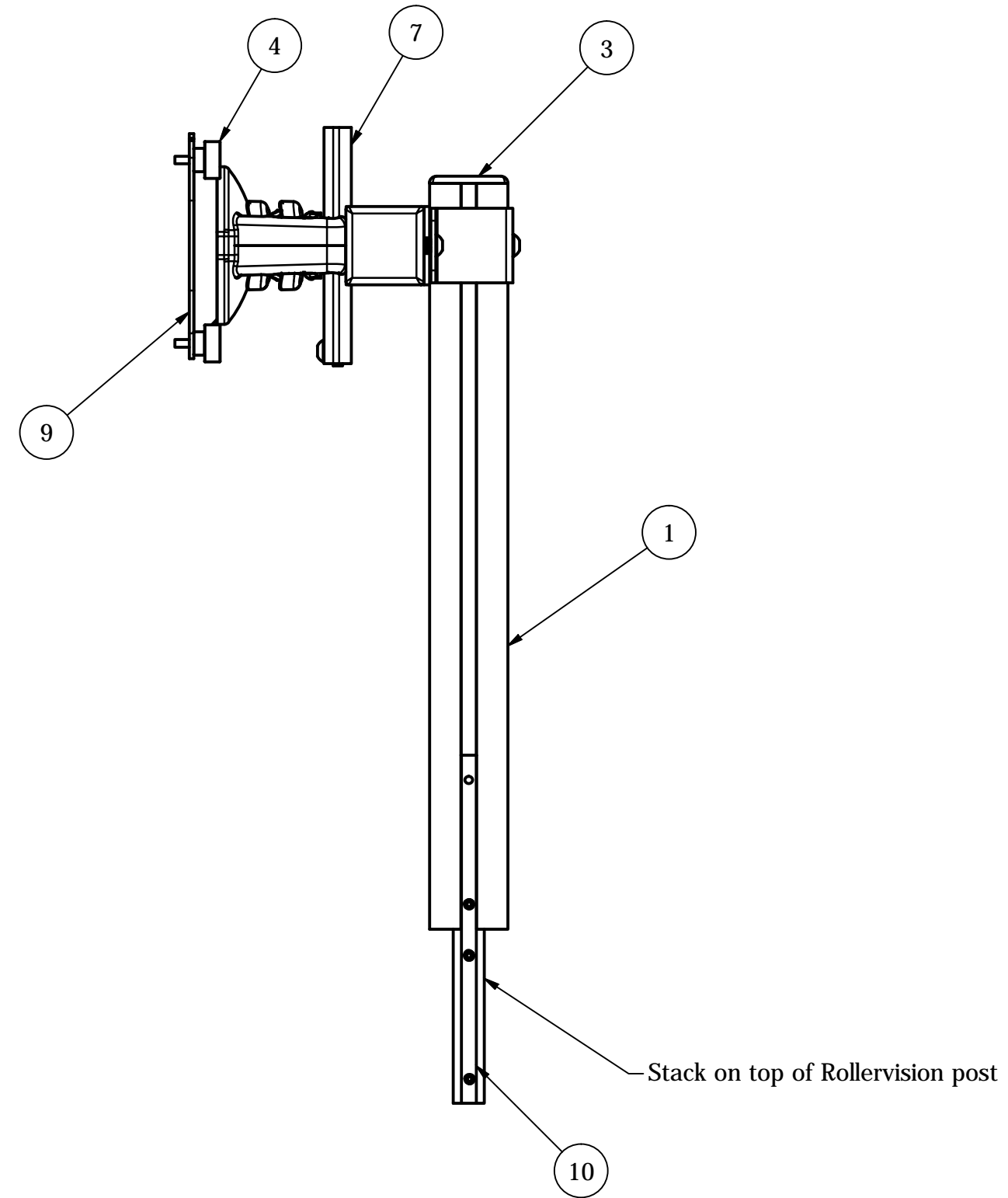
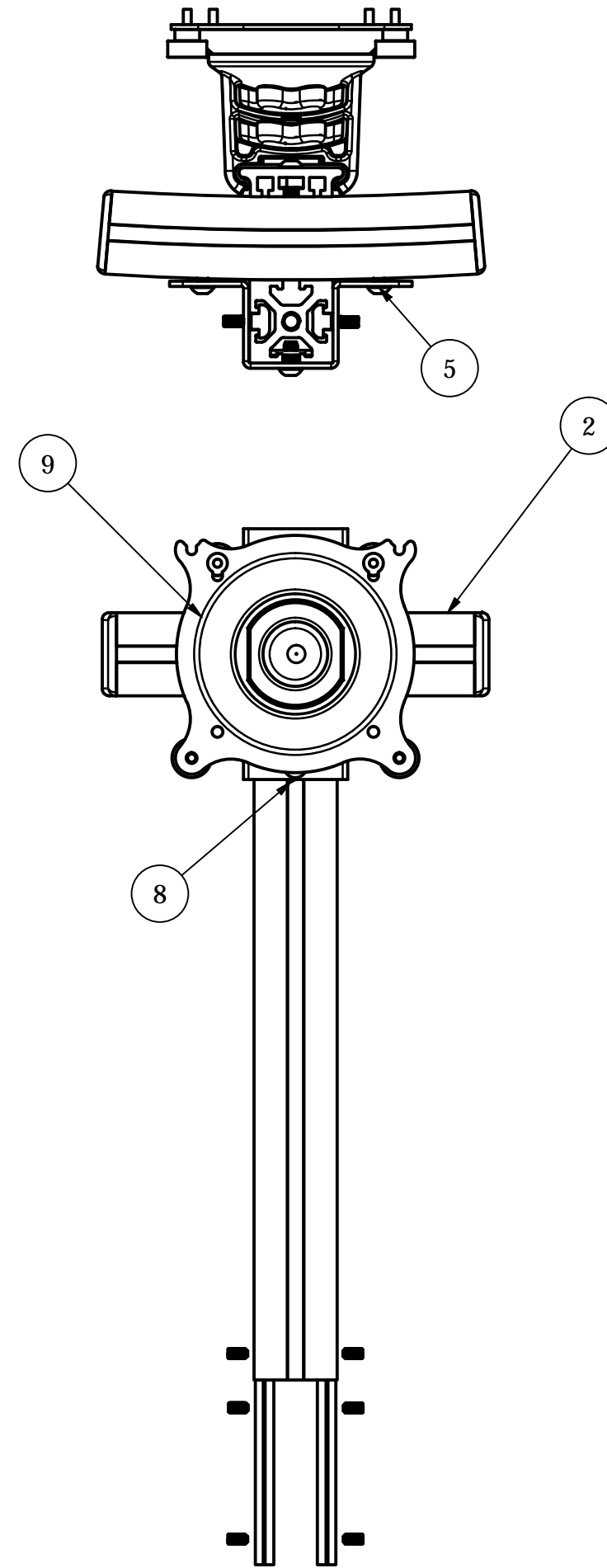
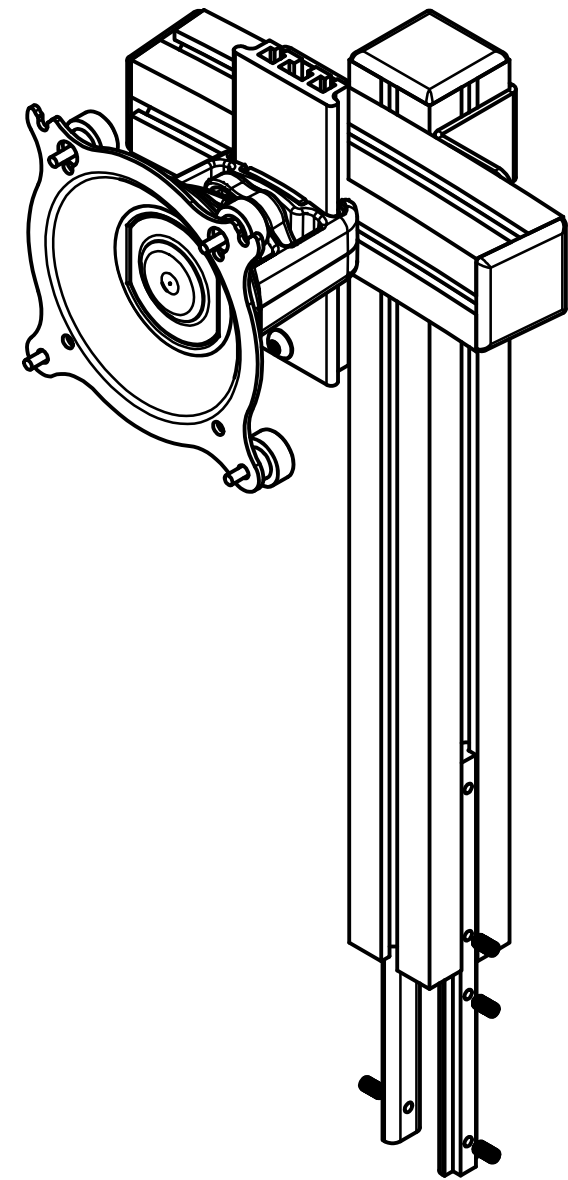
All quoted taxes are estimated. Any applicable taxes, fees, permits, etc. must be added to this quote.

**Note 2:**

Where installation is listed on quote it is based in non-union labor and on one trip for installation only. Client is responsible for coordination of Technicians and other Vendors/Contractors. Waiting time will be charged at the rate of \$75 per man hour straight time and \$115 per man hour for OT plus subsistence expenses. Additionally, this quote is based upon a remodel in an existing space and/or new building - completely finished with a Certificate of Occupancy. Any project where the General Contractor is still on the job is subject to additional charges.


We appreciate this opportunity to provide this quote. Our goal is to substantially improve working conditions for your valuable staff. We look forward to meeting with you to review this proposal in detail. In the meantime please don't hesitate to call us with any questions.

REVISION HISTORY			
REV	AUTHOR	DESCRIPTION	DATE
A	KhamX	Release to Production	2/16/11
B	TobyA	Addition of TNut and part assemblies.	1/15/14



PARTS LIST			
ITEM	QTY	PART NUMBER	DESCRIPTION
1	1	12338	Flat Panel 15.0"PC Vert Supp.
2	1	Quickstack-Stub	Flat Panel Arc for Corner Tables
3	3	12003	Flat Panel Top Cap Square
4	4	12761	Flat Panel Thumb Screw M4x10
5	1	15266	Flat Panel Rollervision Bracket Assembly
6	1	13162	Flat Panel 3/32 Hex Wrench (1 per coustomer order)
7	1	13933	Monitor Knuckle Extrusion
8	1	13181	Flat Panel 5/32 Hex Wrench T-handle (1 per coustomer order)
9	1	12076	Flat Panel Knuckle Assembly Chief
10	2	15197	Flat Panel T-Slot Assembly

TOLERANCES UNLESS OTHERWISE SPECIFIED:  
 .X = .060 Inch  
 .XX = .010 Inch  
 .XXX = .005 Inch  
 ANGLES = .5'  
 BREAK ALL CORNERS = .016 INCH MAX.  
 SURFACES = 64 Ra. MIN.

DRAWN <b>KhamX</b>	2/16/2011	Xybix System, Inc. 8207 SouthPark Circle Littleton CO. 80120 O. 800-788-2810 F. 303-683-5454 www.xybix.com		
CHECKED		TITLE <b>Quick Stack Assembly</b>		
QA		SIZE <b>C</b>	DWG NO <b>13160-Quickstack</b>	REV <b>B</b>
MFG		SCALE	SHEET 1 OF 1	
APPROVED		NOTE: This design and layout is property of Xybix Systems Inc. and is not to be used in any manner without express written permission by Xybix Systems Inc.		