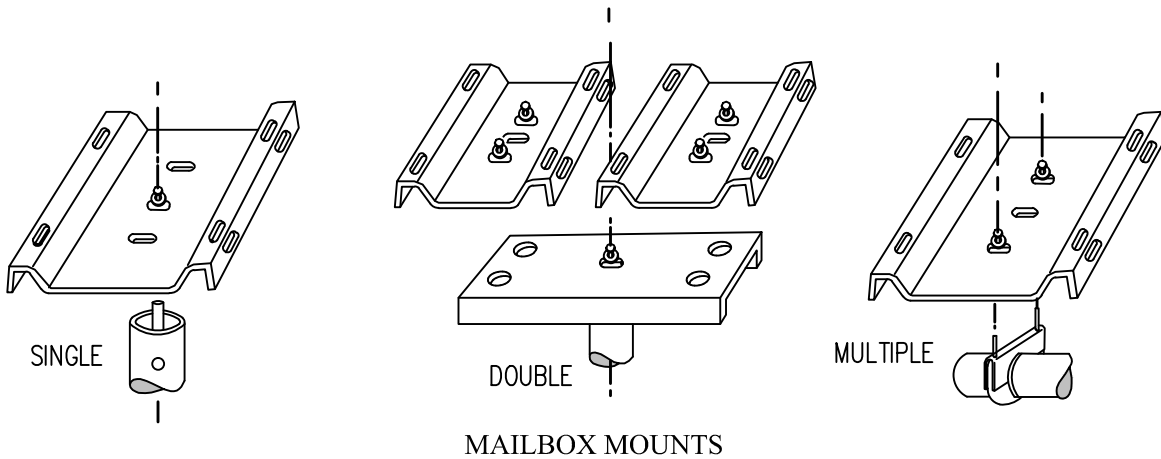


NOTES:

SUPPORT FRAME AND FOUNDATION
ARE PROPRIETARY PRODUCTS



SINGLE & MULTIPLE MAILBOX ASSEMBLIES APPROVED ALTERNATES
N.T.S.

DATE	REVISIONS



STANDARD DETAILS FOR PUBLIC WORKS CONSTRUCTION

MAILBOXES

SECTION NUMBER: 400
DRAWING NUMBER: W-410B
DATE: 2/21/2022