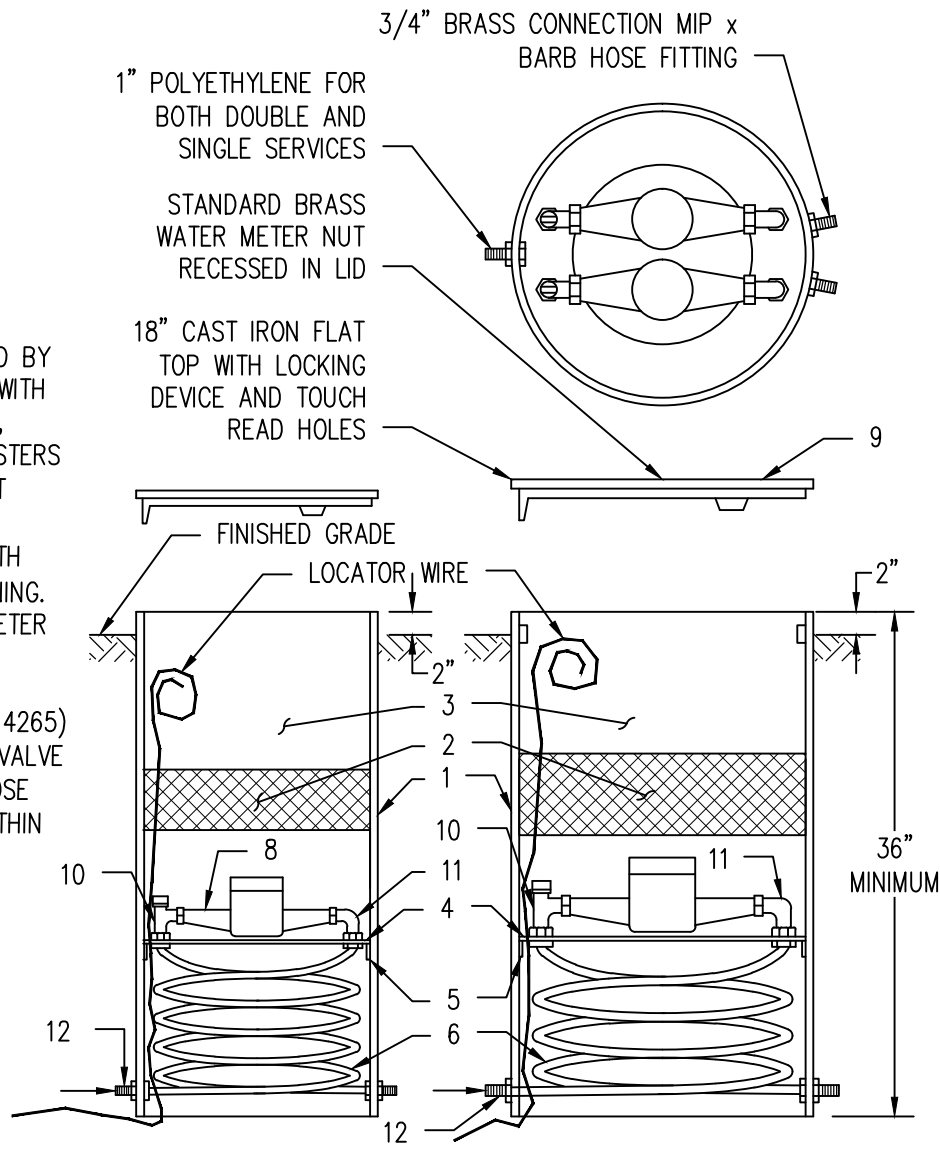


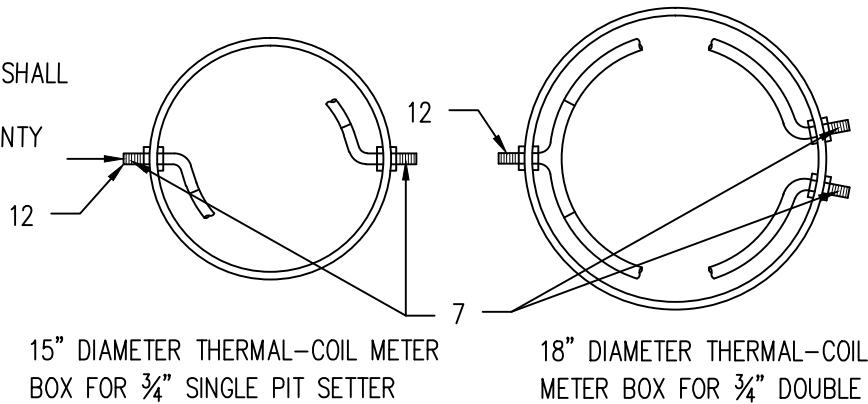
**LEGEND:**

1. PVC BOX, MINIMUM WALL THICKNESS 0.3"
2. INSULATION
3. AIR SPACE
4. PLATFORM
5. PLATFORM SUPPORT
6. POLYBUTYLENE
7. I.P.S. THREADS
8. WATER METER, APPROVED BY THE COUNTY ENGINEER, WITH REMOTE READING DEVICE, SENSUS iPERL (ICE REGISTERS WITH FLEXNET END POINT TRANSMITTERS).
9. CAST IRON FLAT TOP WITH 1 3/4" TRANSPONDER OPENING. EPOXY COAT RECLAIM METER LIDS PURPLE
10. MUELLER VALVE, OR APPROVED EQUAL (NO. 14265)
11. MUELLER ANGLE CHECK VALVE
12. INLET LINE TO BE 1". HOSE TERMINUS TO REMAIN WITHIN 15° OF HORIZONTAL



**NOTES:**

1. SERVICE LINE, SIZE AS SHOWN, WITH COUPLING ADAPTOR.
2. PIT SETTER EXTENSION SHALL ONLY BE USED UPON APPROVAL BY THE COUNTY ENGINEER.



15" DIAMETER THERMAL-COIL METER BOX FOR 3/4" SINGLE PIT SETTER

18" DIAMETER THERMAL-COIL METER BOX FOR 3/4" DOUBLE

DATE	REVISIONS



STANDARD DETAILS FOR PUBLIC WORKS CONSTRUCTION

3/4" METER VAULT

SECTION NUMBER: <b>300</b>
DRAWING NUMBER: <b>W-311</b>
DATE: <b>2/21/2022</b>