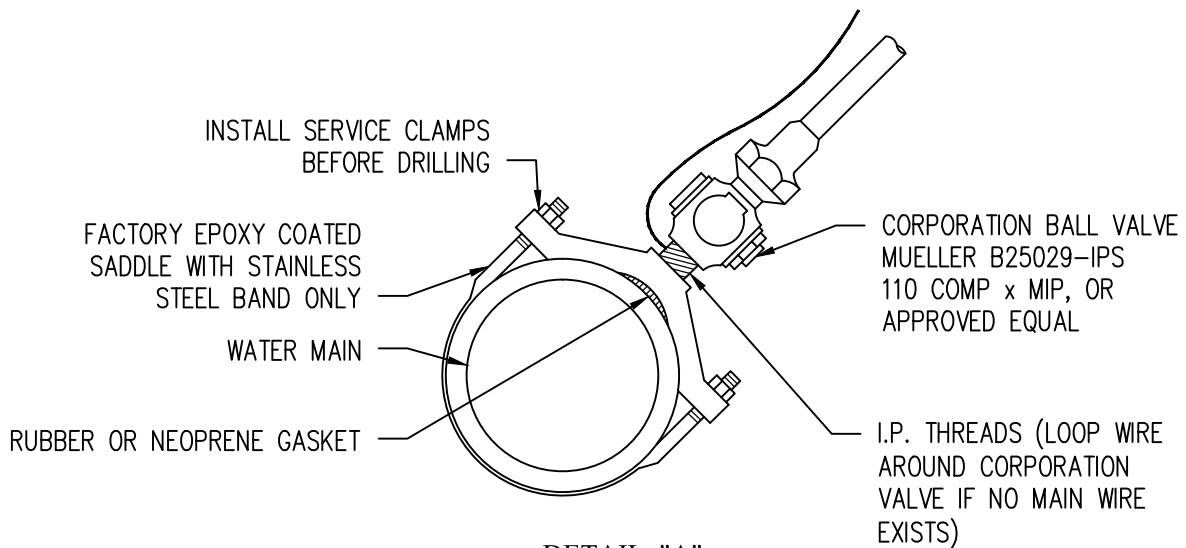



TYPICAL SECTION
N.T.S.



DETAIL "A"
N.T.S.

DATE	REVISIONS		STANDARD DETAILS FOR PUBLIC WORKS CONSTRUCTION		SECTION NUMBER:
			<p style="text-align: center;">WATER SERVICE TAP & LINE</p>		300
					DRAWING NUMBER:
				W-310A	
			DATE:	2/21/2022	