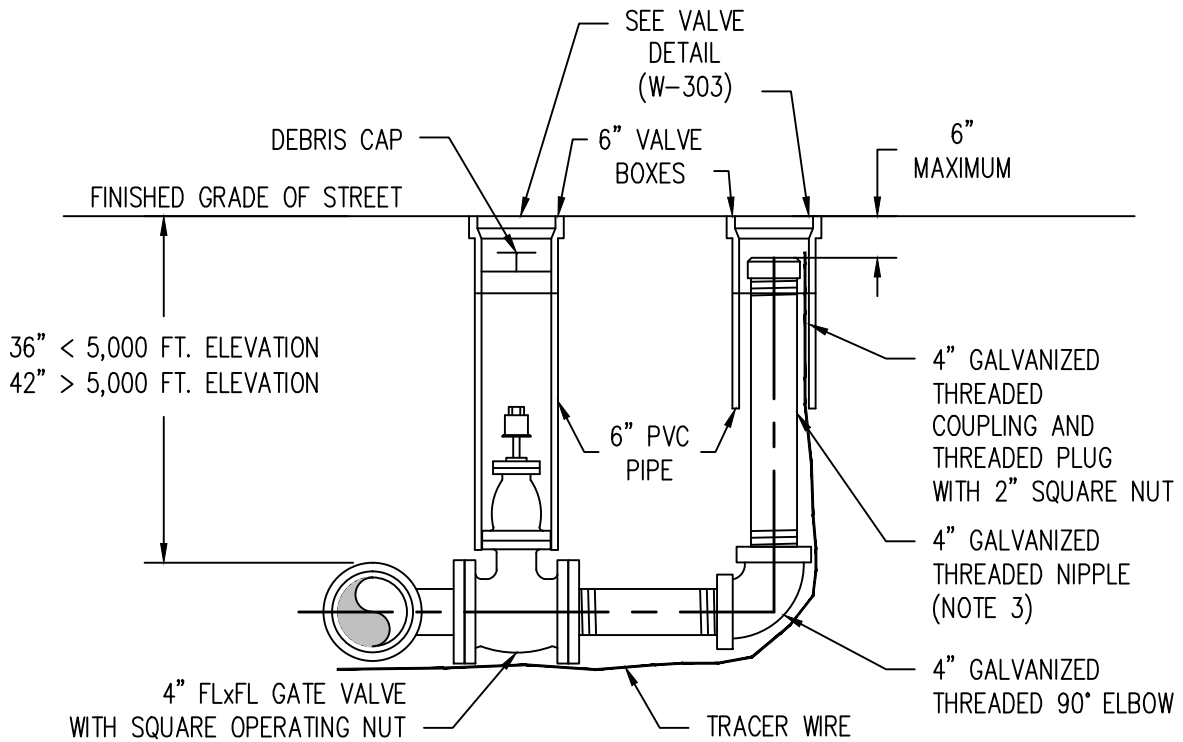


PLAN VIEW
N.T.S.



SECTION A-A'
N.T.S.

NOTES:

1. COAT ALL EXPOSED METAL WITH MASTIC.
2. ALL FITTINGS TO BE POLY-WRAPPED PRIOR TO CONCRETE PLACEMENT.
3. GALVANIZED NIPPLE SHALL BE CONTINUOUS OR TACK WELDED AT EACH JOINT.

DATE	REVISIONS



STANDARD DETAILS FOR PUBLIC WORKS CONSTRUCTION
4" FLUSH VALVE ASSEMBLY
IN-LINE

SECTION NUMBER: 300
DRAWING NUMBER: W-306
DATE: 2/21/2022