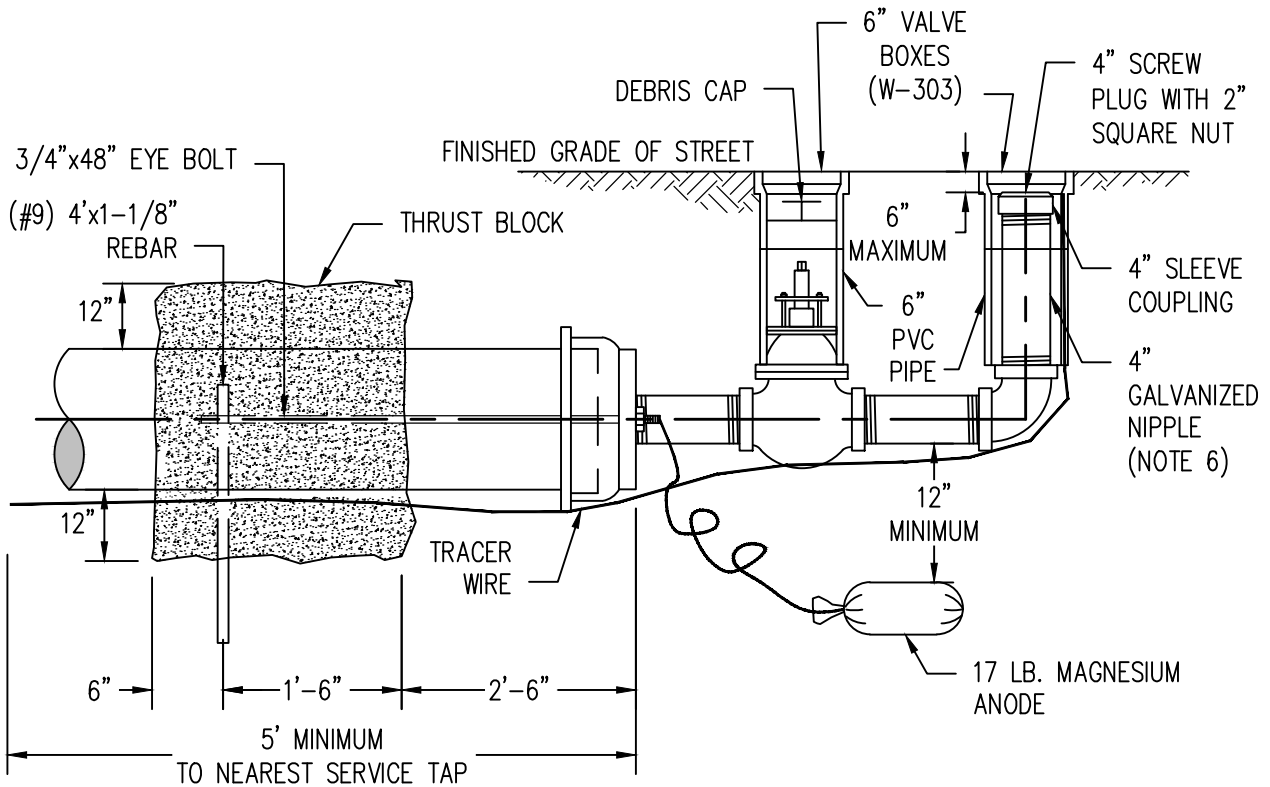


PLAN VIEW
N.T.S.



SECTION A-A'
N.T.S.

DATE	REVISIONS



STANDARD DETAILS FOR PUBLIC WORKS CONSTRUCTION
4" FLUSH VALVE ASSEMBLY
TERMINUS

SECTION NUMBER: 300
DRAWING NUMBER: W-305A
DATE: 2/21/2022