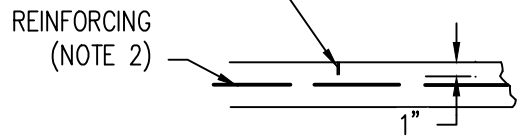
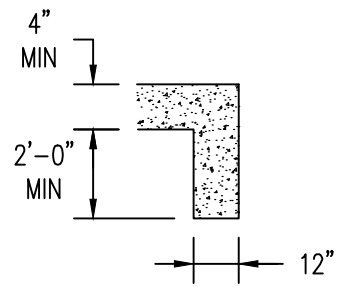
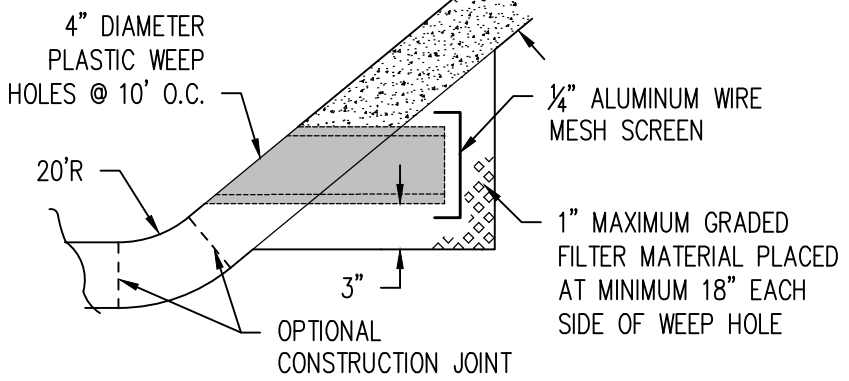



3/16" PREMOLDED JOINT MATERIAL, OR 1/8" SAWED JOINT, FILLED WITH APPROVED JOINT SEALER (NOTE 2)



NOTE: WHEN DEPTH EXCEEDS 3'-0", WEEP HOLES MUST BE ADDED @ 10' O.C.



DATE	REVISIONS		STANDARD DETAILS FOR PUBLIC WORKS CONSTRUCTION		SECTION NUMBER:
			DRAINAGE CHANNEL		200
					DRAWING NUMBER:
			W-201A		
		DATE:	2/21/2022		