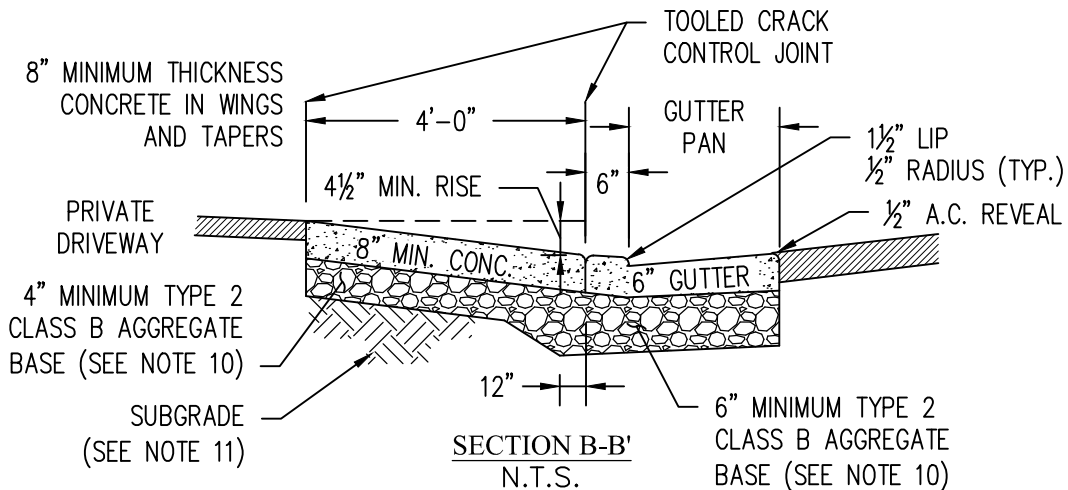
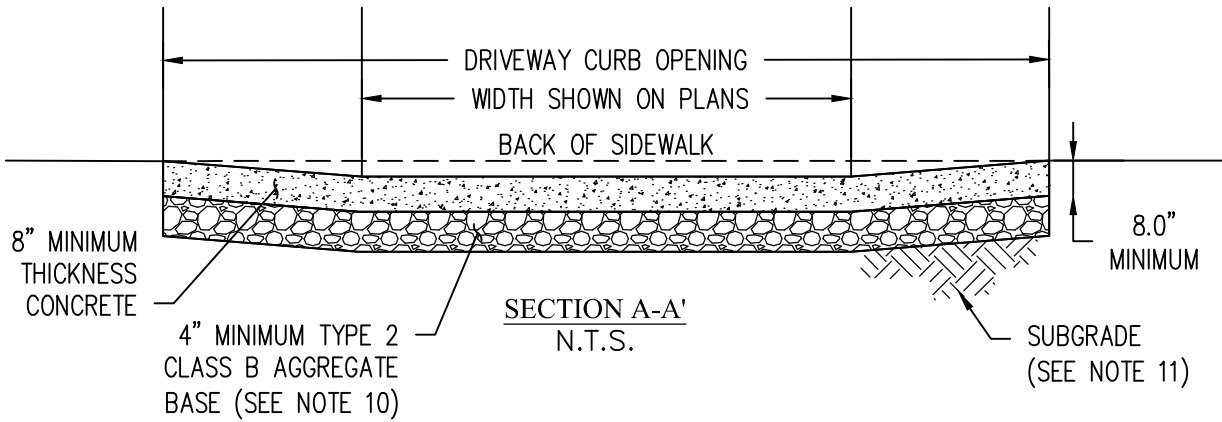


TOOLED CRACK JOINTS ON APPROXIMATE 5 FT. CENTERS IN CURB AND GUTTER AND DRIVEWAY APRON WITHIN THE LIMITS OF THE DEPRESSED CURB
PLAN



DATE	REVISIONS



STANDARD DETAILS FOR PUBLIC WORKS CONSTRUCTION

P.C.C. DRIVEWAY APRON
 (WITH EXISTING ADJACENT SIDEWALK)

SECTION NUMBER: 100
DRAWING NUMBER: W-142C
DATE: 2/21/2022