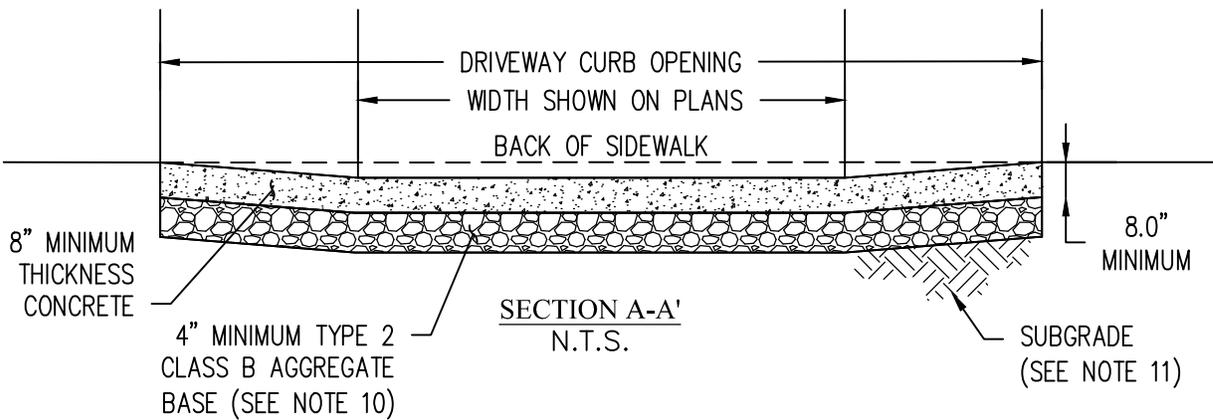
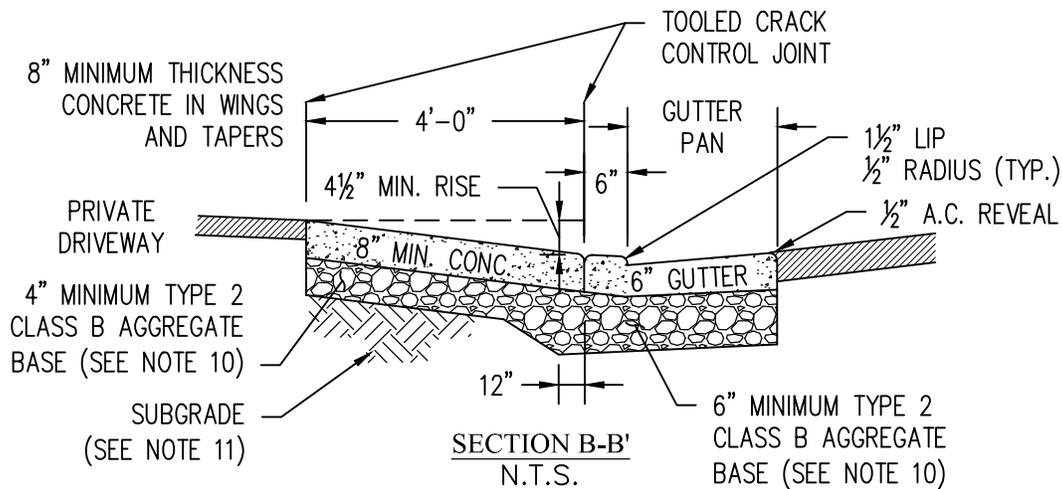


TOOLED CRACK JOINTS ON APPROXIMATE 5 FT. CENTERS IN CURB AND GUTTER AND DRIVEWAY APRON WITHIN THE LIMITS OF THE DEPRESSED CURB
PLAN



SECTION A-A'
 N.T.S.



SECTION B-B'
 N.T.S.

DATE	REVISIONS



STANDARD DETAILS FOR PUBLIC WORKS CONSTRUCTION
P.C.C. DRIVEWAY APRON
 (STREETS WITH NO SIDEWALK)

SECTION NUMBER: 100
DRAWING NUMBER: W-142B
DATE: 2/21/2022