

Washoe County Board of Adjustment



COMMUNITY
SERVICES DEPARTMENT

WADMIN22-0028

Wyndham Shop

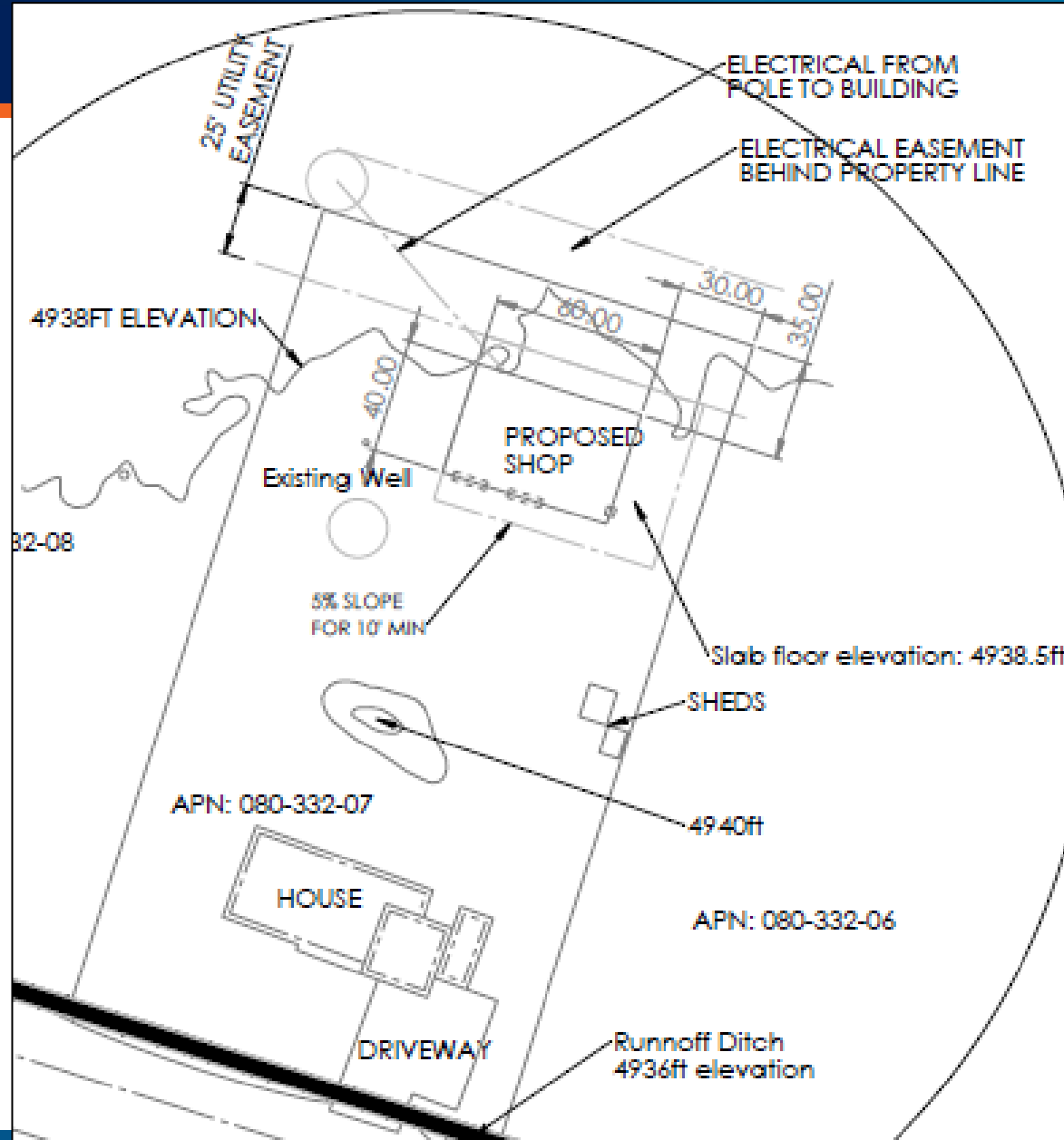
February 2, 2023

Administrative permit for a detached accessory structure that is larger than the primary dwelling on the same parcel of land.

Location



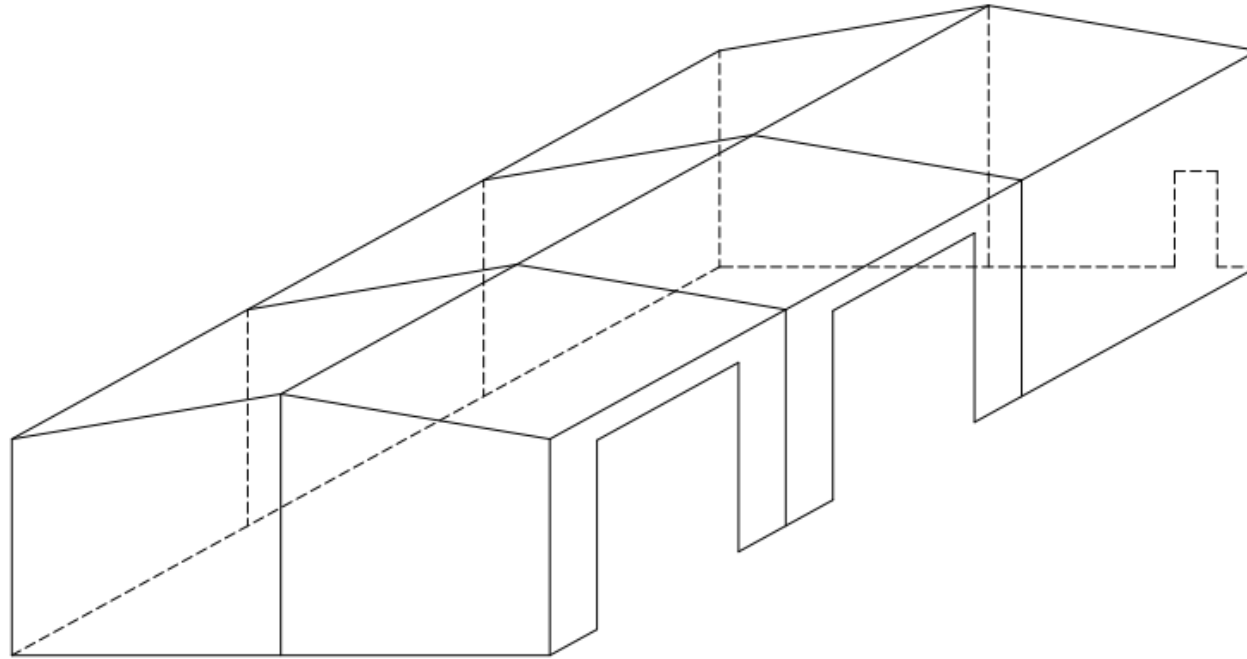
Site Plan



Elevation Rendering



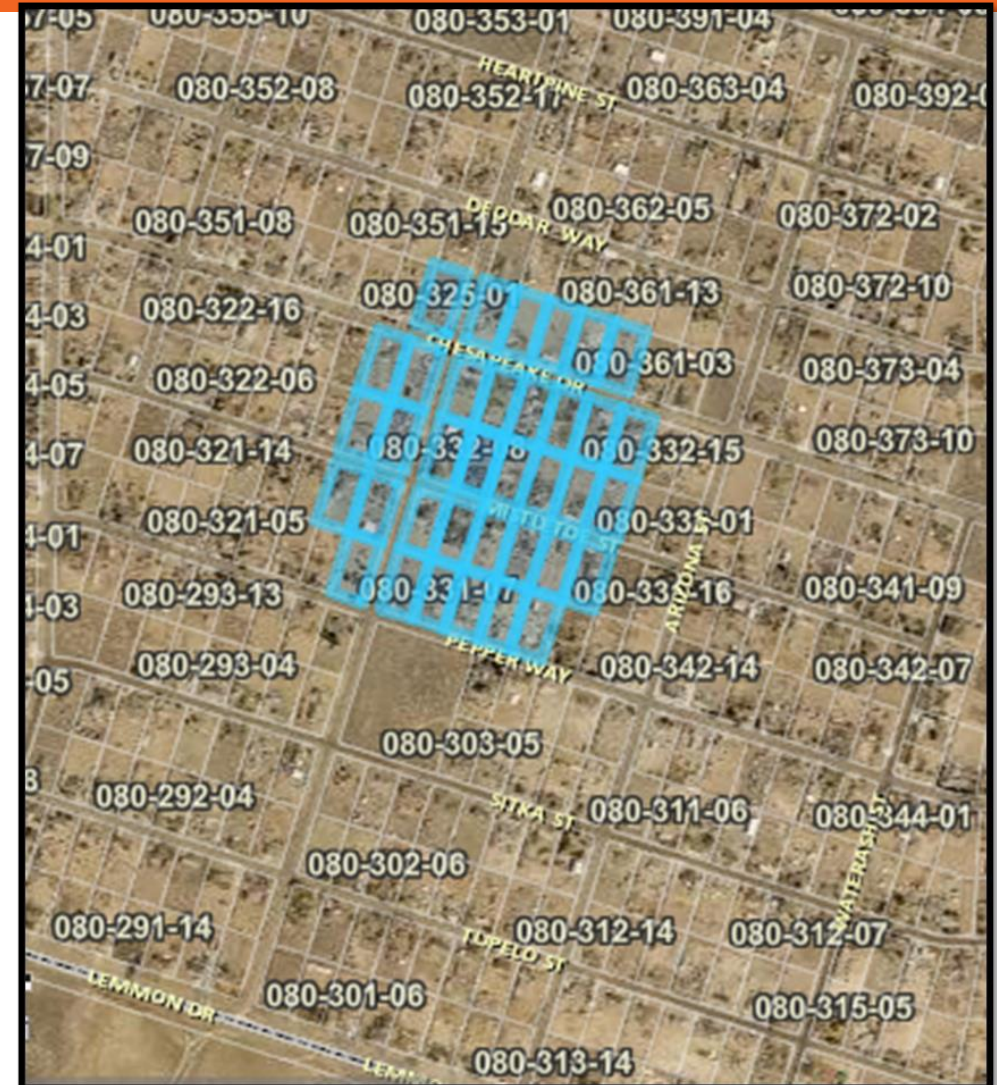
COMMUNITY
SERVICES DEPARTMENT



Public and Agency Comment



- 35 properties were notified of the application
 - No comment were received



- (a) Consistency. That the proposed use is consistent with the action programs, policies, standards and maps of the Master Plan and the Southwest Truckee Meadows Area Plan;
- (b) Improvements. That adequate utilities, roadway improvements, sanitation, water supply, drainage, and other necessary facilities have been provided, the proposed improvements are properly related to existing and proposed roadways, and an adequate public facilities determination has been made in accordance with Division Seven;
- (c) Site Suitability. That the site is physically suitable for detached accessory structure, and for the intensity of such a development;
- (d) Issuance Not Detrimental. That issuance of the permit will not be significantly detrimental to the public health, safety or welfare; injurious to the property or improvements of adjacent properties; or detrimental to the character of the surrounding area;
- (e) Effect on a Military Installation. Issuance of the permit will not have a detrimental effect on the location, purpose or mission of the military installation

Possible Motion



I move that, after giving reasoned consideration to the information contained in the staff report and information received during the public hearing, the Board of Adjustment approve Administrative Permit Case Number WADMIN22-0028 for Paul and Gail Wyndham, with the conditions included as Exhibit A to this matter, having made all five findings in accordance with Washoe County Development Code Section 110.808.25

Thank you

Courtney Weiche, Senior Planner
Washoe County CSD – Planning Division
cweiche@washoecounty.gov
775-328-3608



COMMUNITY
SERVICES DEPARTMENT
