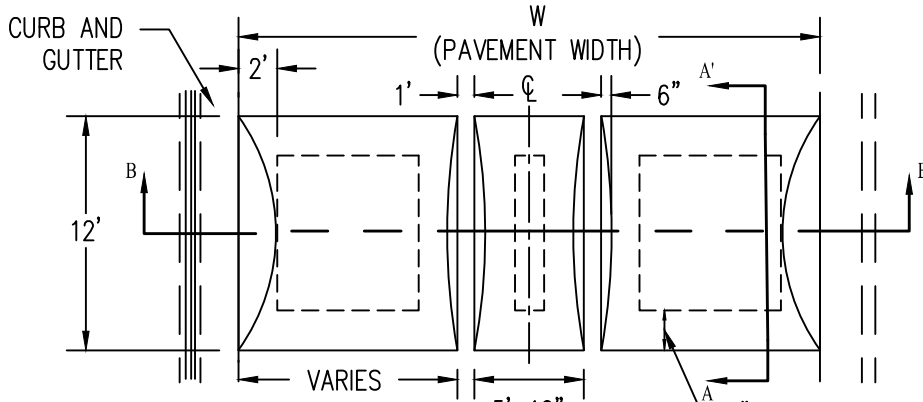


SIGNAGE AND STRIPING OVERVIEW

N.T.S.

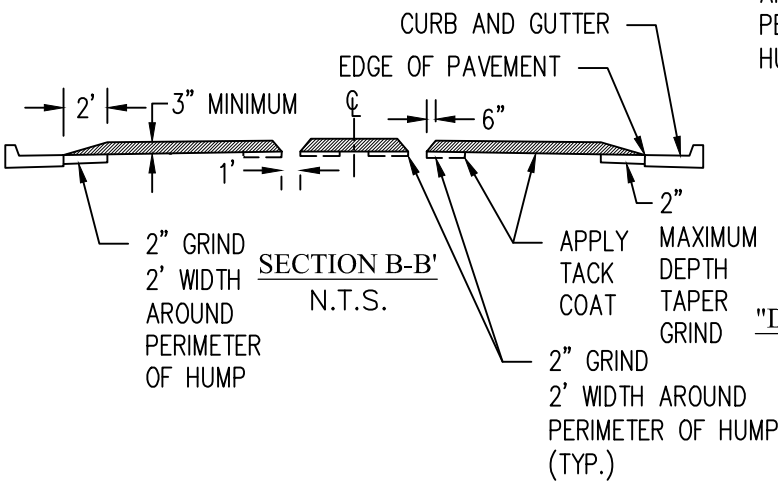
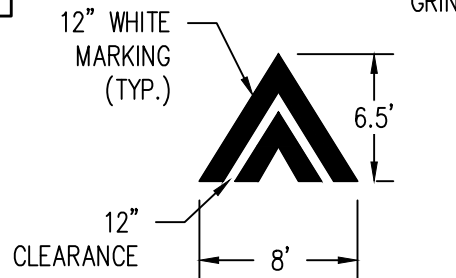
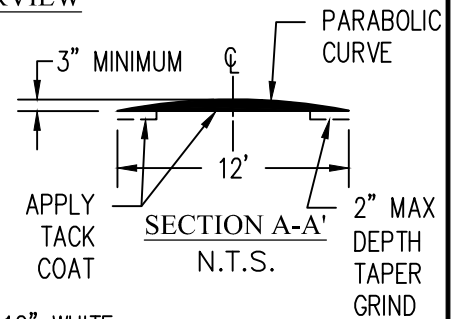
SIGNAGE AND STRIPING PER DETAIL, THIS SHEET

2' PERIMETER GRIND 2" DEEP



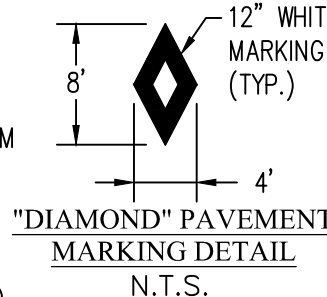
SPEED HUMP PLAN VIEW

N.T.S.



SECTION B-B'

N.T.S.



'DIAMOND' PAVEMENT MARKING DETAIL

N.T.S.

NOTE:
ASPHALT TO BE CONSTRUCTED TO THE SPECIFICATIONS OF THE WASHOE COUNTY PERMANENT PAVEMENT PATCH DETAIL, DRAWING No. W-121.

DATE	REVISIONS



STANDARD DETAILS FOR PUBLIC WORKS CONSTRUCTION

SPEED HUMP DETAILS

SECTION NUMBER: 400
DRAWING NUMBER: W-404A
DATE: 2/21/2022