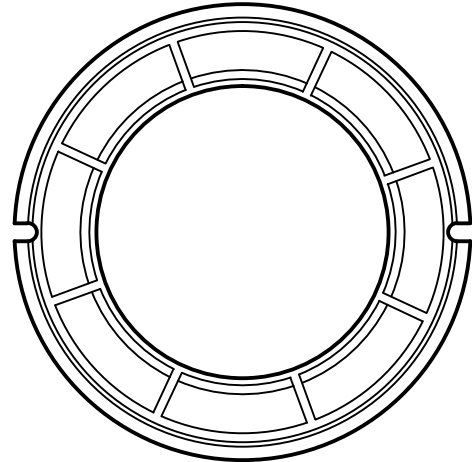
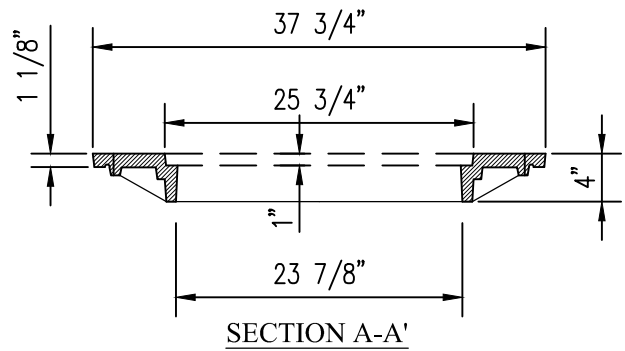


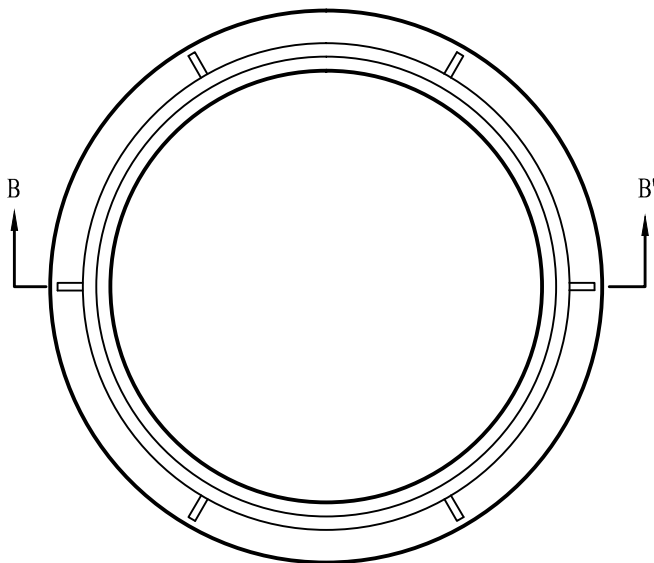
24" COVER ADAPTOR PLAN - TOP



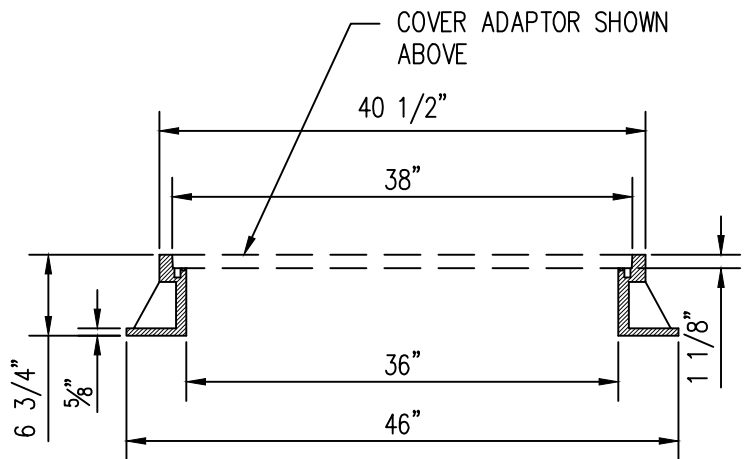
24" COVER ADAPTOR PLAN - BOTTOM



SECTION A-A'



36" MANHOLE FRAME



SECTION B-B'

**NOTES:**

1. 24" COVER ADAPTOR SHALL BE D&L FOUNDRY A1462-R5, TO ACCEPT D&L FOUNDRY A1032 MANHOLE COVERS AND TO SET IN D&L FOUNDRY A1462 FRAME, OR APPROVED EQUAL.
2. 36" MANHOLE FRAME SHALL BE D&L FOUNDRY A1462 FRAME, OR APPROVED EQUAL.
3. CASTINGS SHALL BE CAST GRAY IRON, AND MEET THE REQUIREMENTS OF ASTM A-48, CLASS 35B, NO PAINT.
4. FURNISHED WITH MACHINED HORIZONTAL BEARING SURFACE.
5. MANHOLE COVER ADAPTOR SHALL BE FREE OF HOOKS OR PROTRUSIONS THAT MAY HINDER REMOVAL.

DATE	REVISIONS



STANDARD DETAILS FOR PUBLIC WORKS CONSTRUCTION

36" MANHOLE FRAME  
WITH 24" COVER ADAPTOR

SECTION NUMBER: <b>200</b>
DRAWING NUMBER: <b>W-226</b>
DATE: <b>2/21/2022</b>