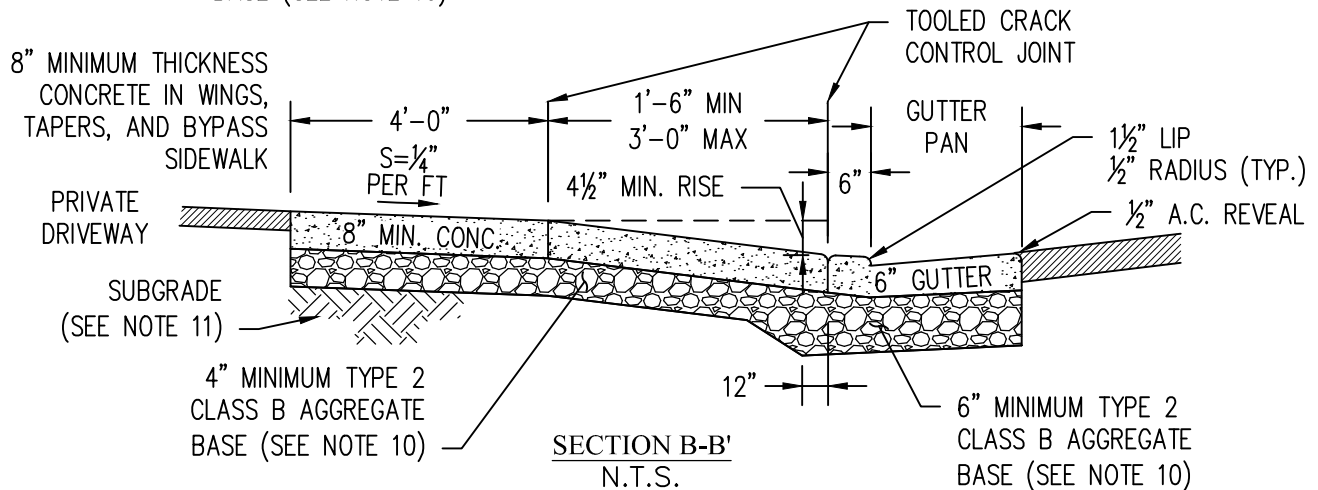
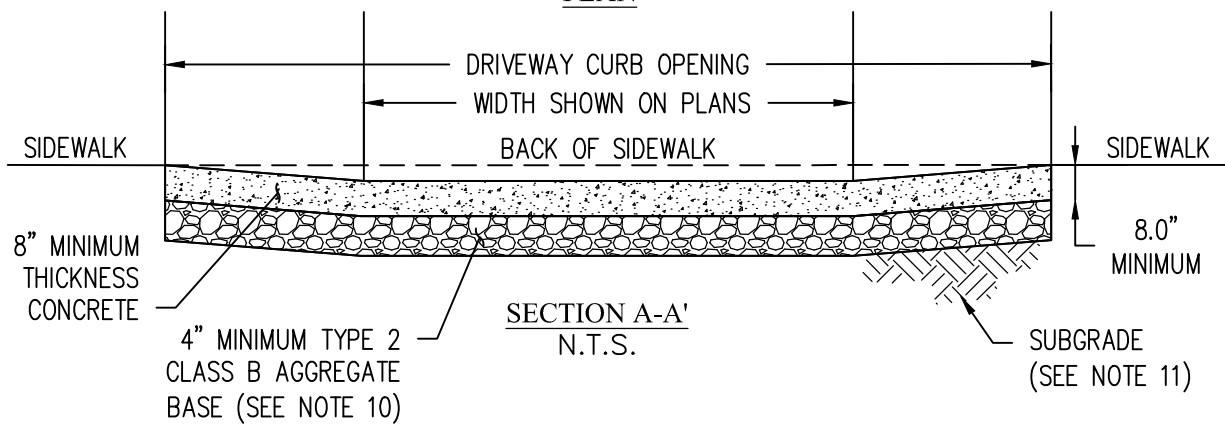


TOOLED CRACK JOINTS ON APPROXIMATE 5 FT. CENTERS IN CURB AND GUTTER AND DRIVEWAY APRON WITHIN THE LIMITS OF THE DEPRESSED CURB
PLAN



DATE	REVISIONS



STANDARD DETAILS FOR PUBLIC WORKS CONSTRUCTION
**P.C.C. DRIVEWAY APRON
 (STREETS WITH SIDEWALK)**

SECTION NUMBER: 100
DRAWING NUMBER: W-142A
DATE: 2/21/2022