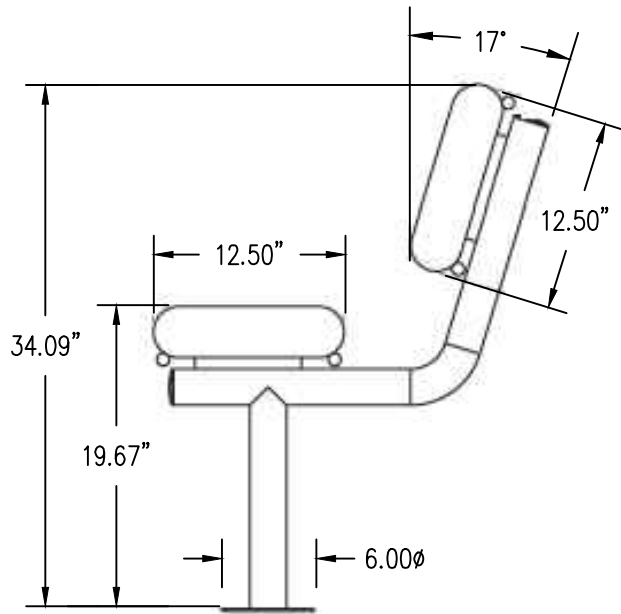


- SKU: 766be120
 Variations:
 766be120-6
 766be120-18
 766be120-30
 766be120-42
 766be120-54
 766be120-66
 766be120-78
 766be120-90
 766be120-102
 766be120-114
 766be120-126
 766be120-138
 766be120-150
 766be120-162
 766be120-174
 766be120-186
 766be120-198
 766be120-210
 766be120-222
 766be120-234
 766be120-246
 766be120-258



DATE	REVISIONS



STANDARD DETAILS FOR PUBLIC WORKS CONSTRUCTION
6FT ROLLED BENCH WITH
BACK SURFACE MOUNT --
EXPANDED METAL

SECTION NUMBER: 100
DRAWING NUMBER: W-113D
DATE: 2/21/2022