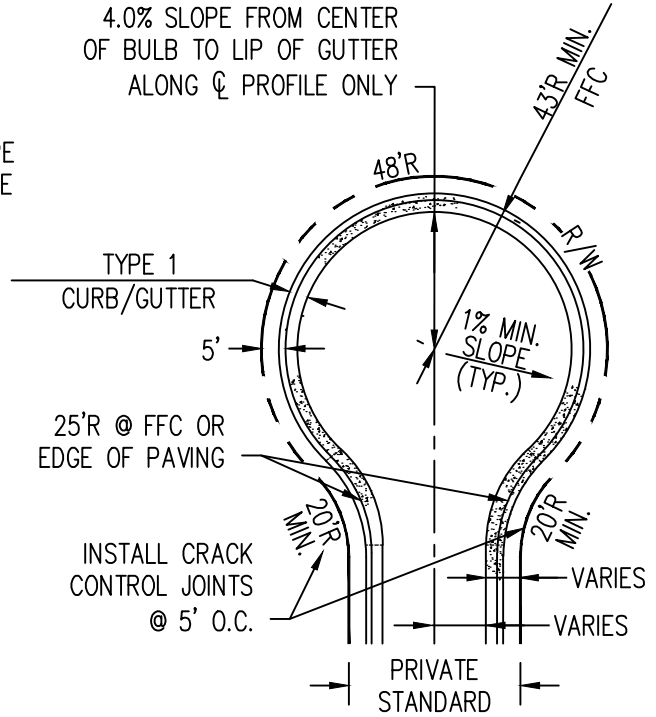
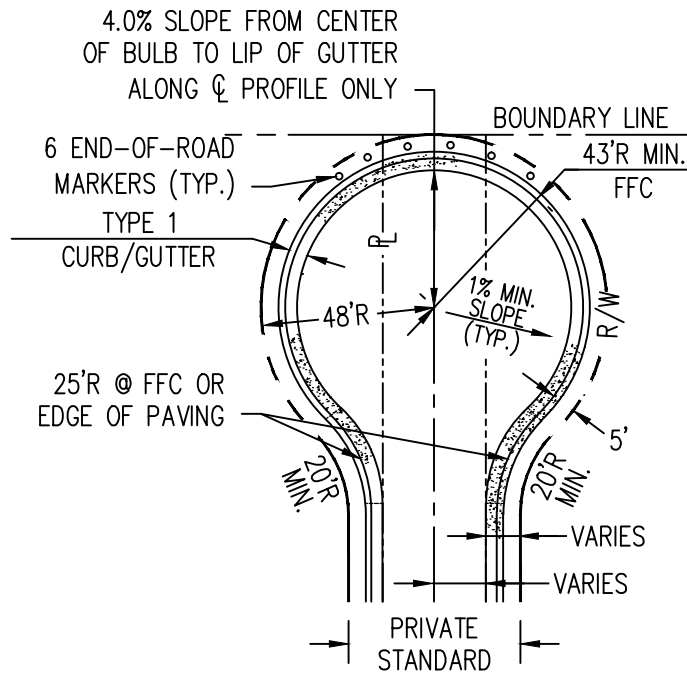


UNPAVED TEMPORARY
N.T.S.

4.0% SLOPE FROM CENTER OF BULB TO LIP OF GUTTER ALONG ϕ PROFILE ONLY



PAVED PERMANENT
N.T.S.



PAVED TEMPORARY
N.T.S.

DATE	REVISIONS



STANDARD DETAILS FOR PUBLIC WORKS CONSTRUCTION

CUL-DE-SAC
(PRIVATE STREETS ONLY)

SECTION NUMBER: 100
DRAWING NUMBER: W-112A
DATE: 2/21/2022